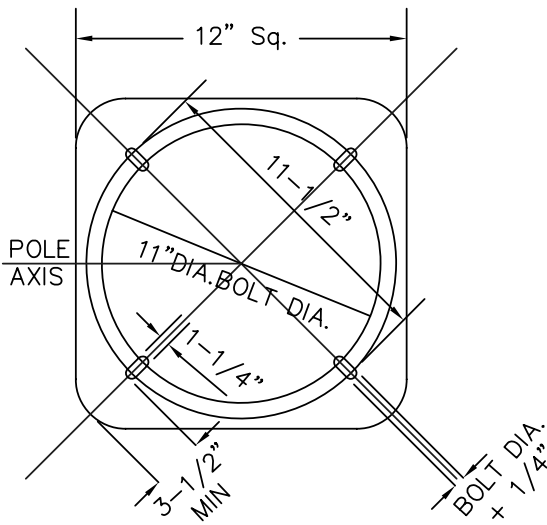
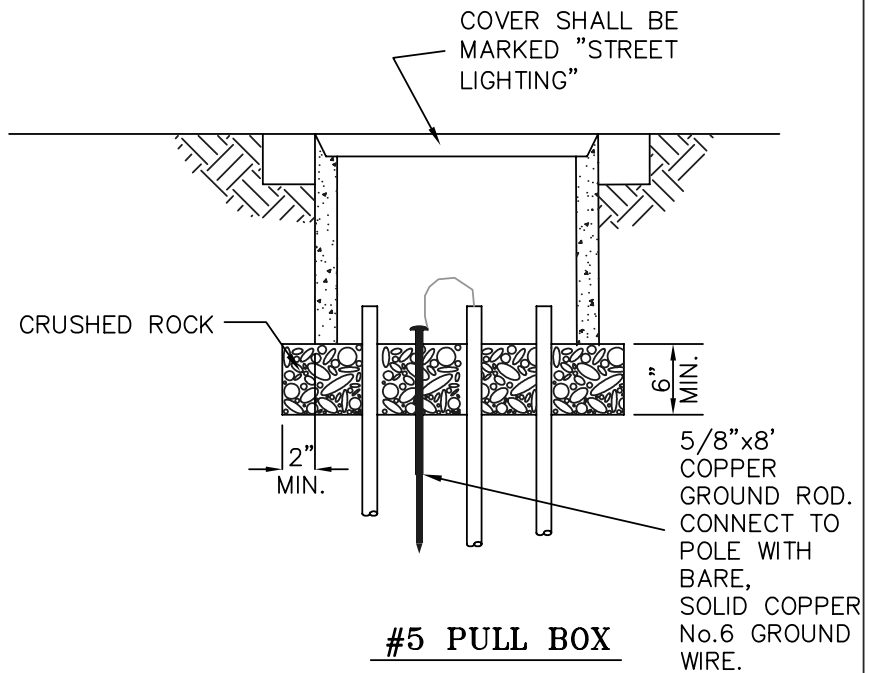


PLAN VIEW



POLE BASE



#5 PULL BOX



DEPARTMENT OF CITY SERVICES

STANDARD DETAIL 703

APPROVED DATE

**Light Base &
Pull Box**