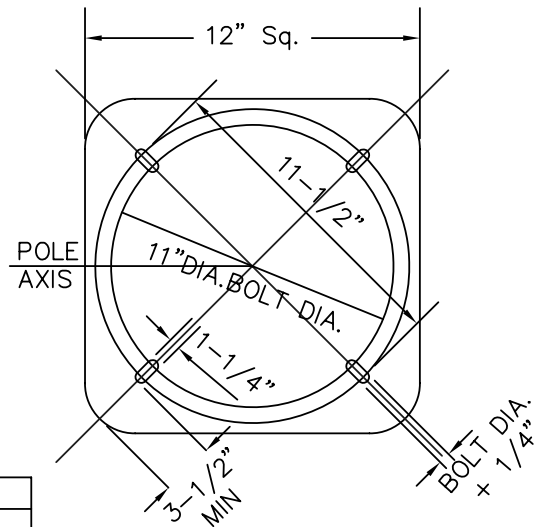


**LUMINAIRE ARM CONNECTION**



**POLE BASE**

LUMINAIRE ARM DATA				
M PROJECTED LENGTH	N RISE	MIN. OD AT POLE	THICKNESS	P MOUNTING HEIGHT
6'-0"	2'-0" $\pm$	3-1/4"	0.1196"	31'-6" $\pm$

POLE DATA			
A HEIGHT	MIN OD		THICKNESS
	BASE	TOP	
30'	8"	3-7/8"	0.1196"

BASE PLATE DATA		
THICKNESS	ANCHOR BOLTS	
	SIZE	BOLT CIRCLE
1"	1" x 36" x 4"	11"



526 C Street, Marysville, CA 95901

DEPARTMENT OF CITY SERVICES

APPROVED

DATE

STANDARD DETAIL 702

**Light Pole & Mast Arm**