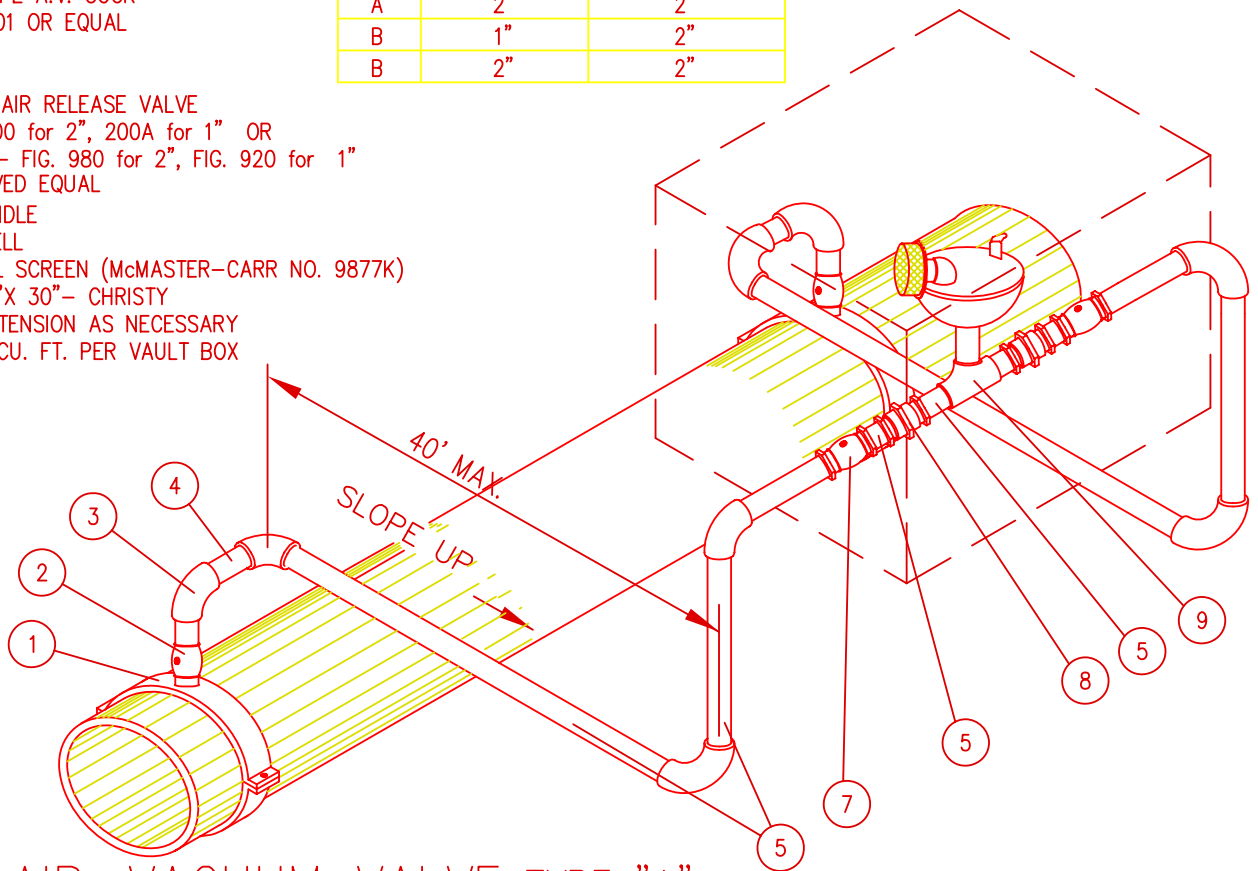


SINGLE AIR-VACUUM VALVE TYPE "B"

1. SERVICE SADDLE-SMITH BLAIR # 313 OR APPR. EQUAL
2. CORP. STOP-FORD FB 1700
3. 90° BRASS ELL
4. BRASS NIPPLE
5. TYPE K COPPER PIPE
7. TEFLON BALL TYPE A.V. COCK McDONALD # 6101 OR EQUAL
8. BRASS UNION
9. BRASS TEE
10. AIR-VACUUM & AIR RELEASE VALVE APCO- SER. 1700 for 2", 200A for 1" OR G.A. INDUSTRIES- FIG. 980 for 2", FIG. 920 for 1" OR CITY APPROVED EQUAL
11. BIBB W/TEE HANDLE
12. 90° BRASS ST. ELL
13. STAINLESS STEEL SCREEN (McMASTER-CARR NO. 9877K)
14. VALULT: 17 1/4"X 30"- CHRISTY # B 36 WITH EXTENSION AS NECESSARY
15. DRAIN ROCK, 5 CU. FT. PER VAULT BOX

TYPE	AIR-VALVE SIZE	SIZE OF PIPE FITTINGS
A	1"	1"
A	2"	2"
B	1"	2"
B	2"	2"



DOUBLE AIR-VACUUM VALVE TYPE "A"



DEPARTMENT OF CITY SERVICES

STANDARD DETAIL 412

APPROVED _____ DATE _____

Air-Vacuum Valves