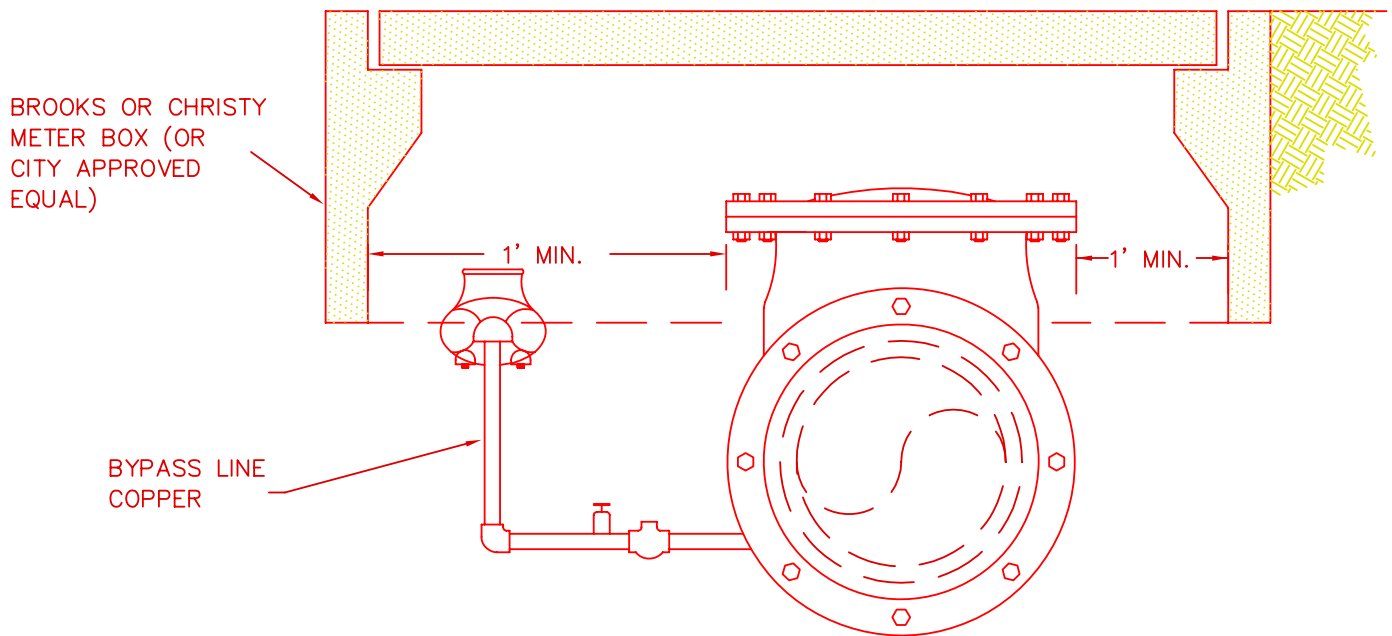


PLAN VIEW



END VIEW



DEPARTMENT OF CITY SERVICES

STANDARD DETAIL 409

 APPROVED

 DATE

Fire Service
 Check Valve