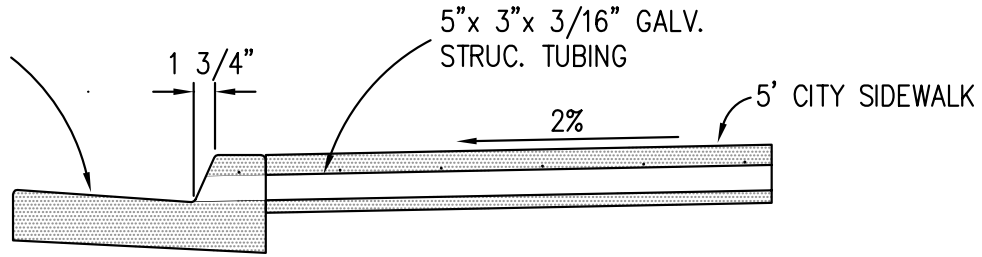


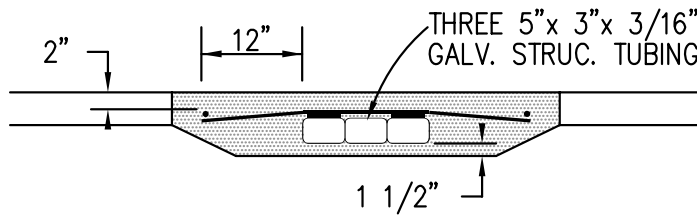
STD. CITY
6" BARRIER
CURB & GUTTER



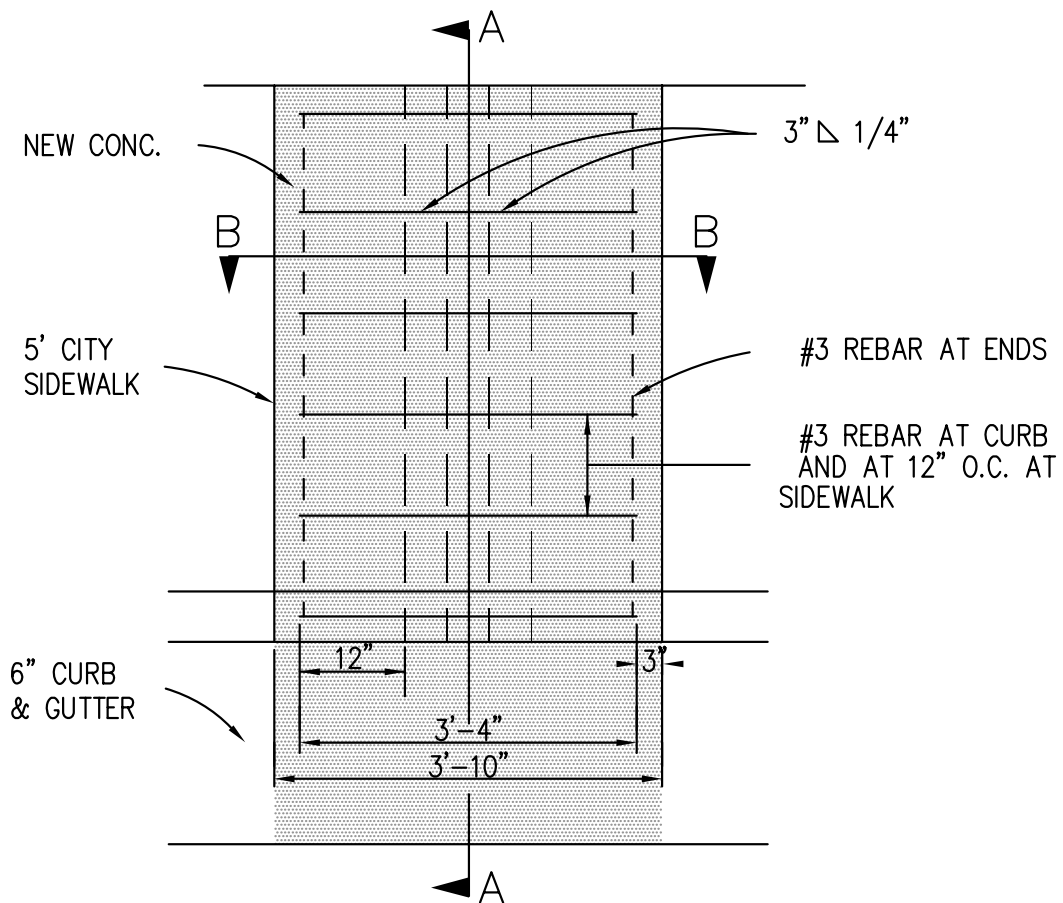
SECTION A-A

NOTE: DRAIN ASSEMBLY SHALL
BE FABRICATED AND HOT
DIP GALVANIZED.

STRUCT. TUBING TO
BE CUT TO FIT CURB
ANGLE. COAT ENDS
W/MIN. 2 COATS
SHERWIN WILLIAMS
"GALVITE" OR EQUAL.



SECTION B-B



PLAN VIEW



DEPARTMENT OF CITY SERVICES

STANDARD DETAIL 308

APPROVED

DATE

Under Sidewalk
Drain