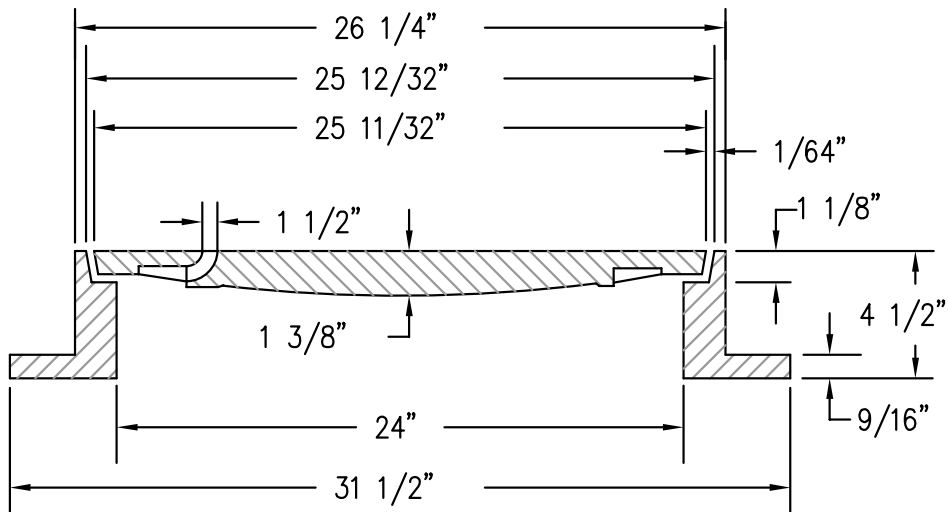
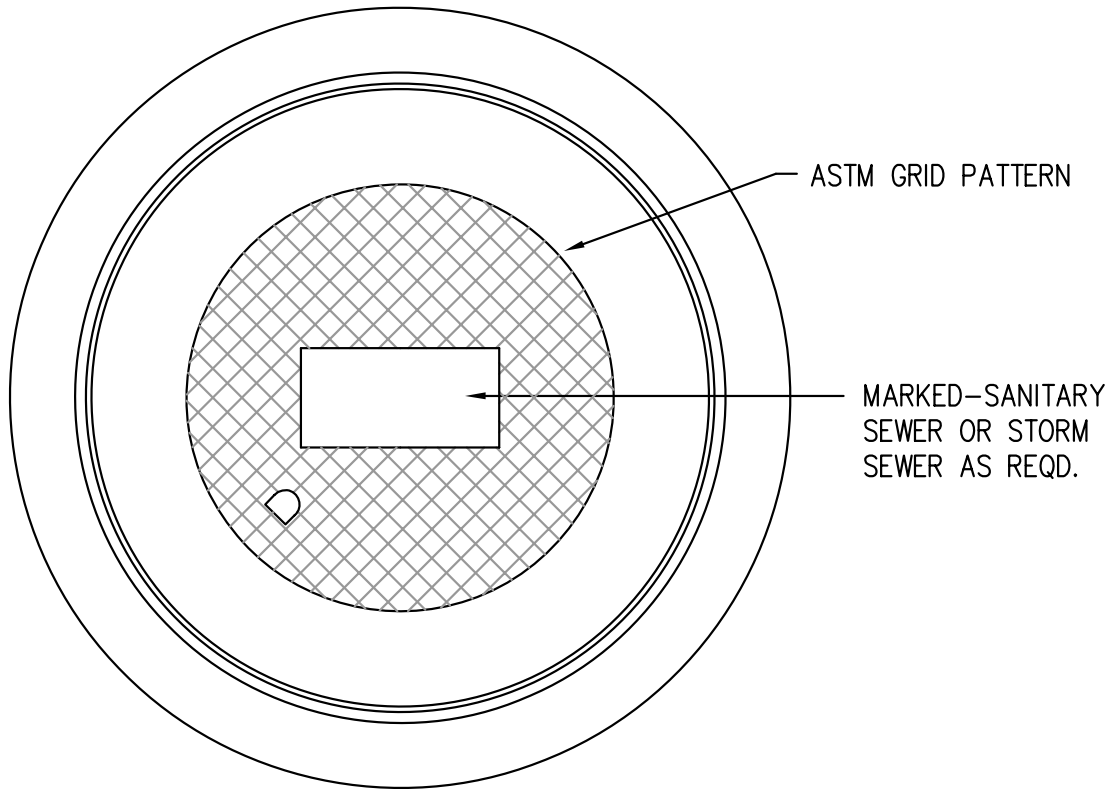


NOTE:  
 MANHOLE FRAME & COVER TEICHERT NO. A-1024,  
 D & L SUPPLY NO. A-1024, SOUTH BAY FOUNDRY  
 NO. SBF 1900 SAC OR CITY APPROVED EQUAL.



DEPARTMENT OF CITY SERVICES

STANDARD DETAIL 307

\_\_\_\_\_  
 APPROVED                      DATE

Manhole Frame  
 & Grate