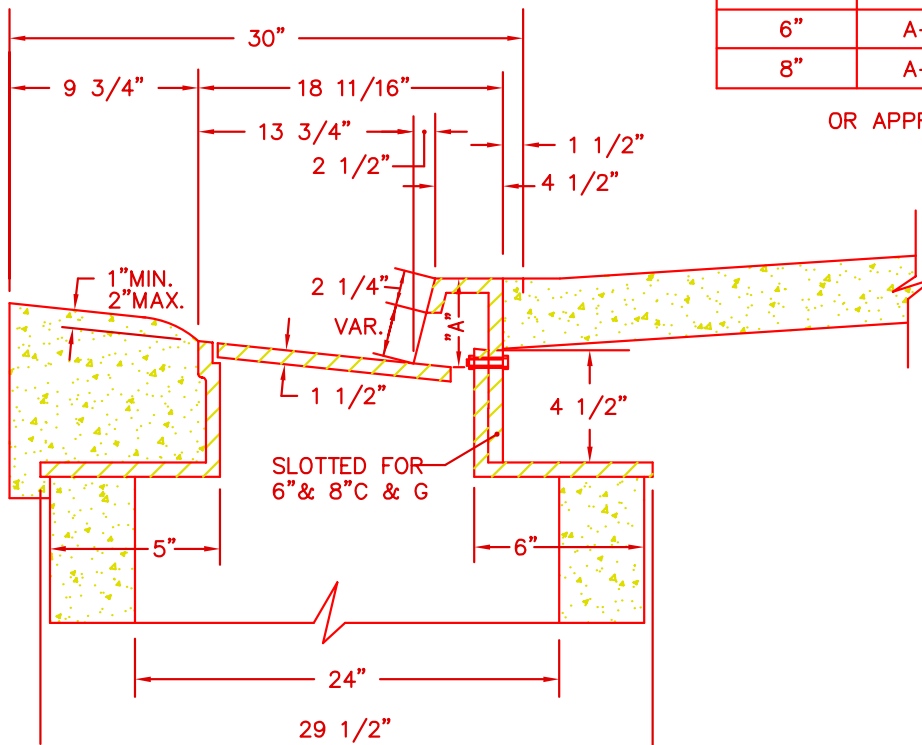


SCHEDULE "A"		
CURB HT.	TEICHERT PRECAST	"A"
6"	A-420BM	6"
8"	A-420BM	8"

OR APPROVED EQUAL



SECTION A-A



DEPARTMENT OF CITY SERVICES

STANDARD DETAIL 304

APPROVED

DATE

Drop Inlet  
Grate Assembly