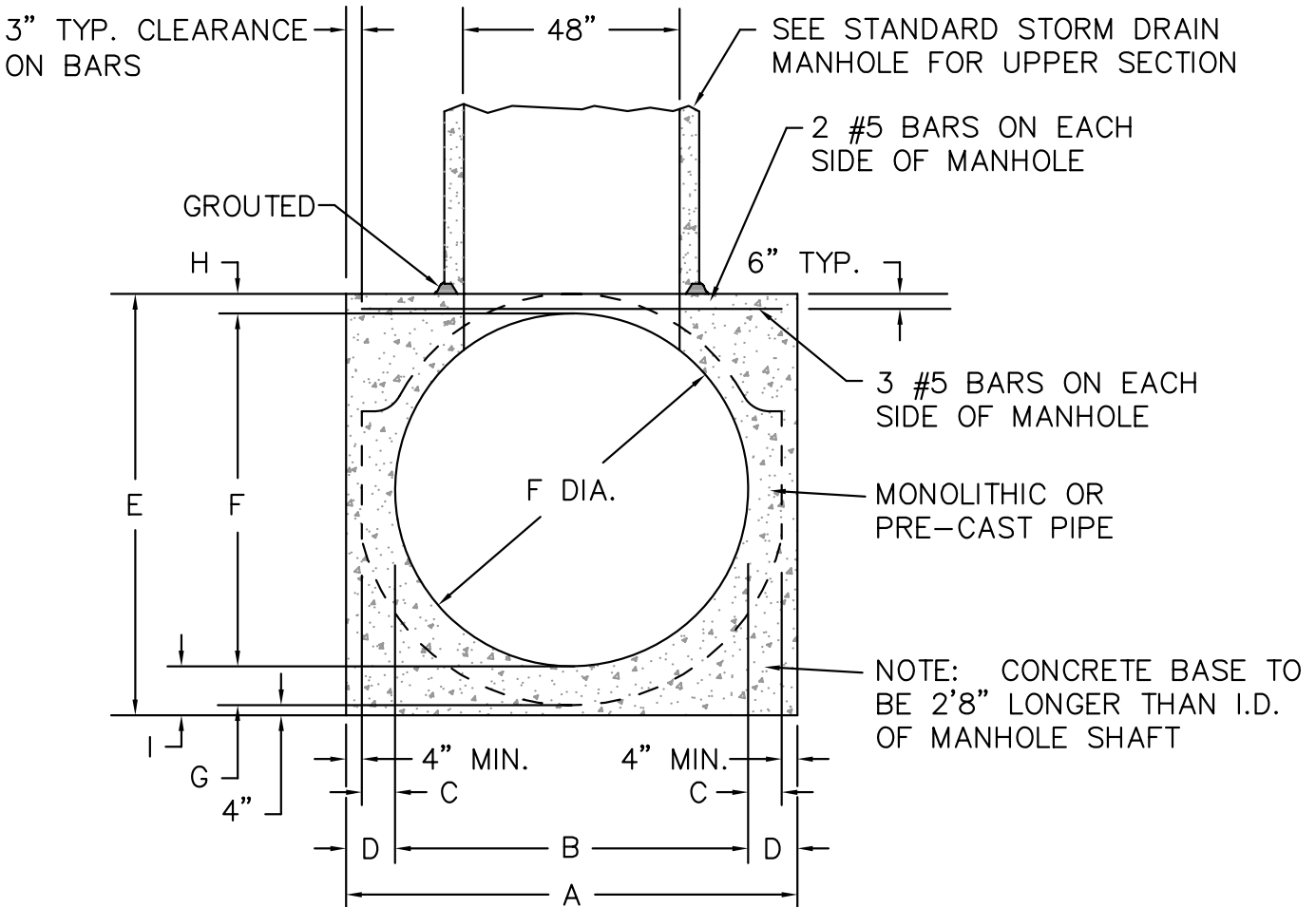


MANHOLE DIMENSIONS

I.D. PIPE	A	B	C	D	E	F	G	H	I
30"	5'0"	2'6"	5"	1'3"	3'9"	2'6"	3"	8"	7"
36"	5'0"	3'0"	4-1/2"	1'0"	4' 3-1/2"	3'0"	3-1/2"	8"	7-1/2"
42"	5'0"	3'6"	5"	9"	4'10"	3'6"	4"	8"	8"
48"	5'8"	4'0"	6"	10"	5'5"	4'0"	5"	8"	9"
54"	6'3"	4'6"	6-1/2"	10-1/2"	5' 11-1/2"	4'6"	5-1/2"	8"	9-1/2"
84"	9'0"	7'0"	8"	1'0"	8'7"	7'0"	7"	8"	11"
96"	10'2"	8'0"	9"	1'1"	9'9"	8'0"	7"	8"	1'1"



DEPARTMENT OF CITY SERVICES

STANDARD DETAIL 302

APPROVED \_\_\_\_\_ DATE \_\_\_\_\_

Manhole for  
Pipe 30" & Larger