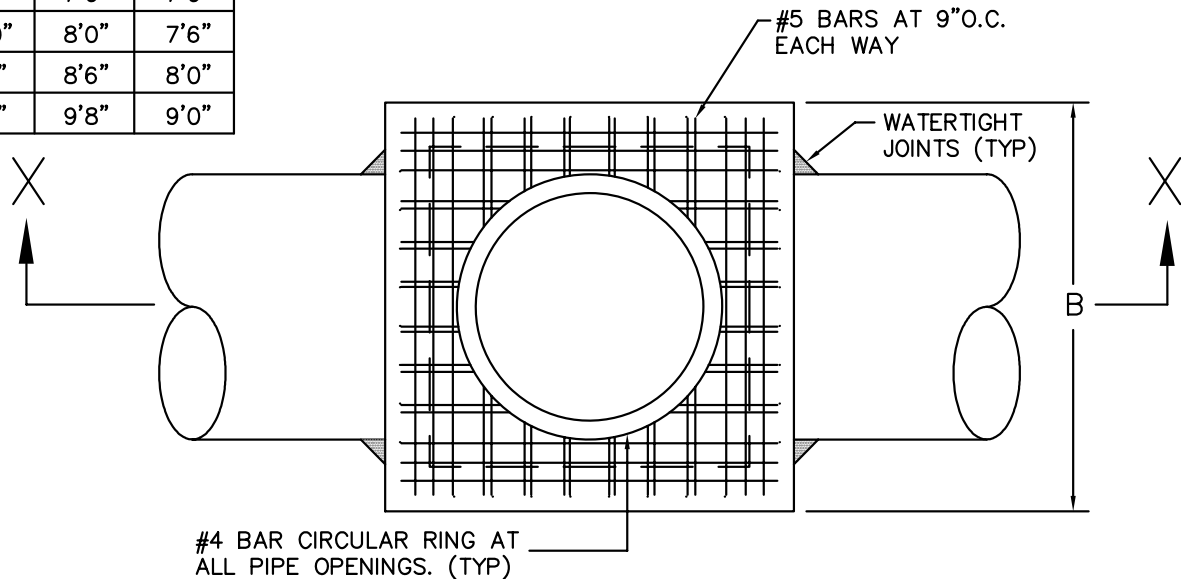


SECTION X-X

MANHOLE DIMENSIONS				
I.D. PIPE	A	B	C	
30"	6'6"	6'6"	6'4"	
36"	6'6"	6'6"	6'4"	
42"	6'6"	6'6"	6'4"	
48"	7'0"	7'0"	7'0"	
54"	7'10"	8'0"	7'6"	
60"	8'0"	8'6"	8'0"	
72"	9'0"	9'8"	9'0"	



DEPARTMENT OF CITY SERVICES

STANDARD DETAIL 301

Junction Box
Dia. > 30"

APPROVED

DATE