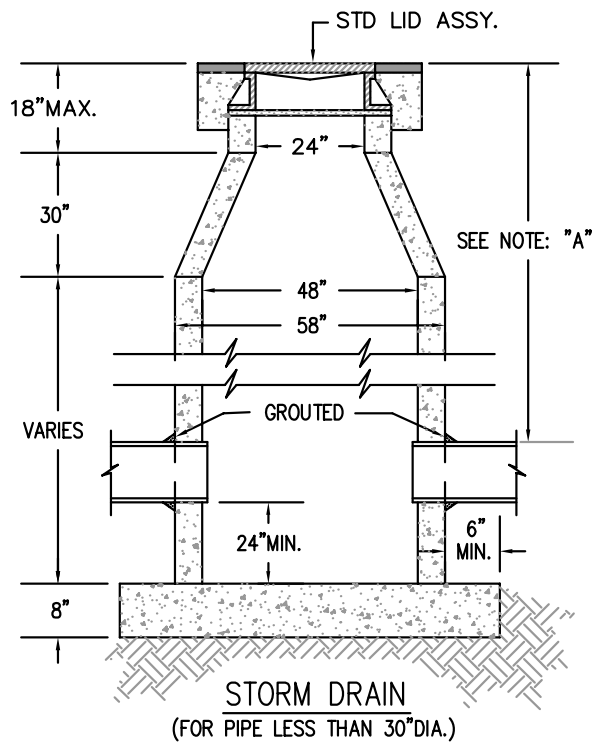
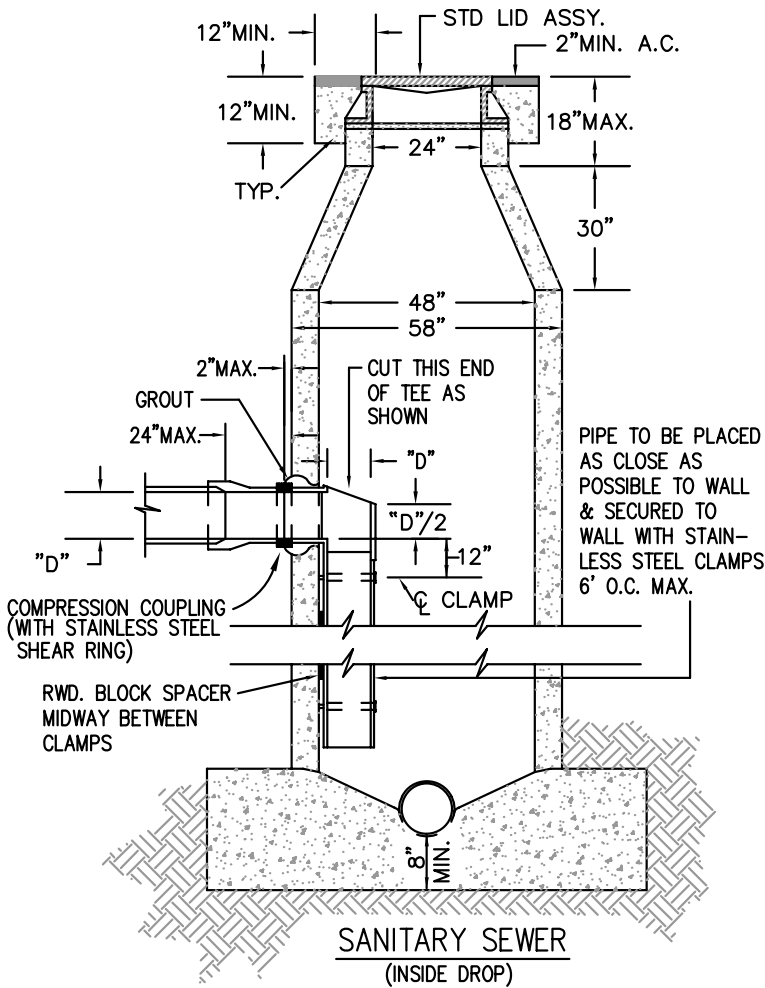
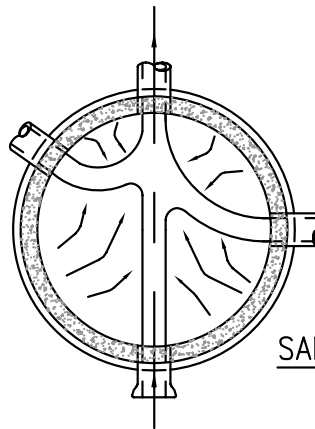


NOTES:
A.) FOR PIPES WITH LESS THAN 4' COVER
USE THE SHALLOW MANHOLE DETAIL



DEPARTMENT OF CITY SERVICES

STANDARD DETAIL 203

APPROVED _____

DATE _____

**Sanitary Sewer /
Storm Drain Manhole**