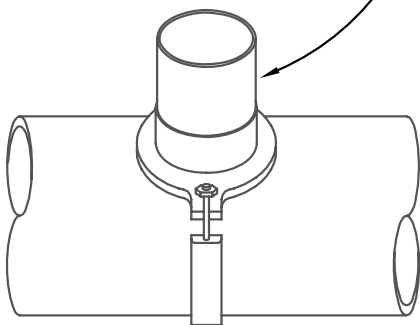


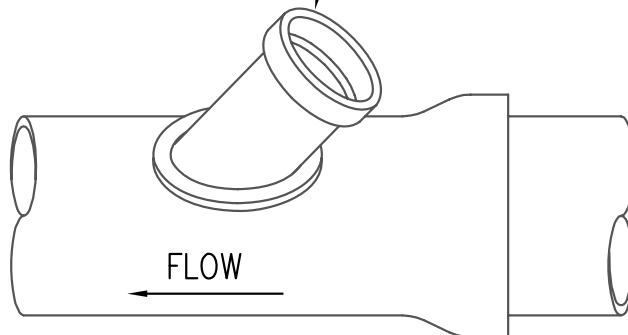
NOTES:

1. SERVICES SHALL HAVE SAME BEDDING AND BACKFILL AS MAIN SEWER. (SEE STANDARD DETAIL #501)
2. ANY REPAIRS DONE TO SERVICES OR MAINS SHALL HAVE COMPRESSION COUPLINGS WITH STAINLESS STEEL SHEAR RINGS
3. PIPE FOR MAIN AND SERVICES SHALL BE FUSION BONDED EPOXY DUCTILE IRON PIPE WHEN COVER IS 3' OR LESS.

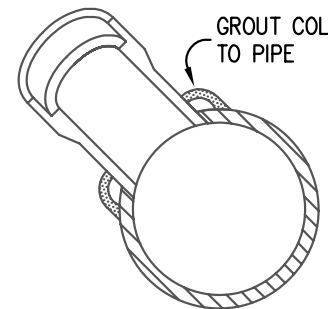
TAPPING SADDLE
(CONNECTED TO PIPE W/STAINLESS STEEL STRAP)
SEALTITE OR CITY APPROVED EQUAL.



TAPPING COLLAR WYE SADDLE
(GROUT TO PIPE)



GROUT COLLAR
TO PIPE



DEPARTMENT OF CITY SERVICES

APPROVED

DATE

STANDARD DETAIL 202

Sanitary Sewer
Service / Connection