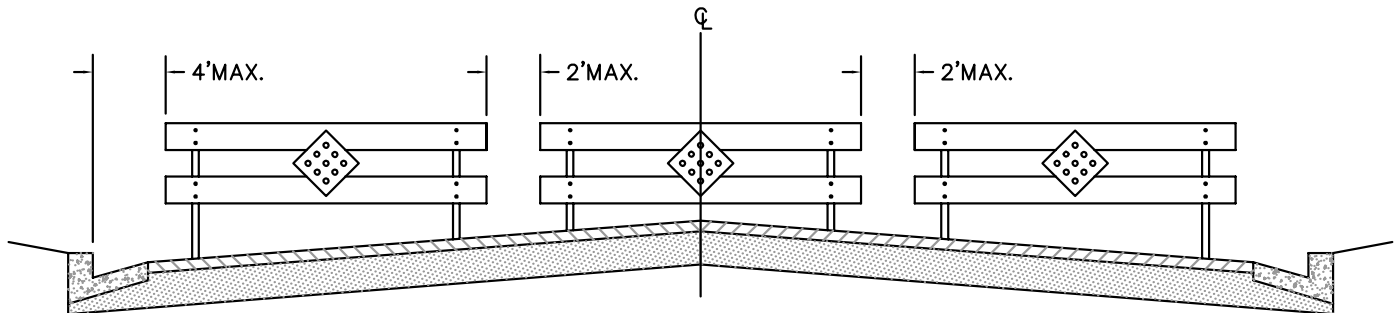


NOTE:
 ALL EXPOSED SURFACES TO BE PAINTED WITH
 2 (TWO) COATS OF 1145 SAFETY YELLOW PAINT
 (OR CITY APPROVED EQUAL).



| ST. WIDTH | NO. BARRICADES |
|-----------|----------------|
| 64' | 4 BARRICADES |
| 40' | 3 BARRICADES |
| 30' | 2 BARRICADES |



DEPARTMENT OF CITY SERVICES

STANDARD DETAIL 108

APPROVED

DATE

Barricade