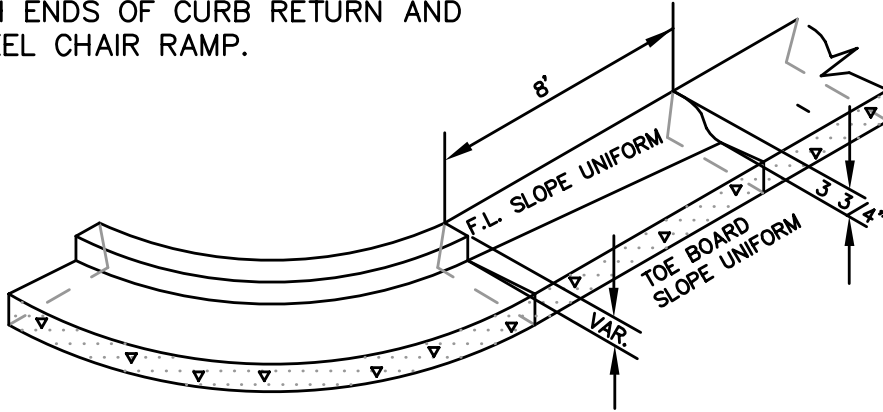
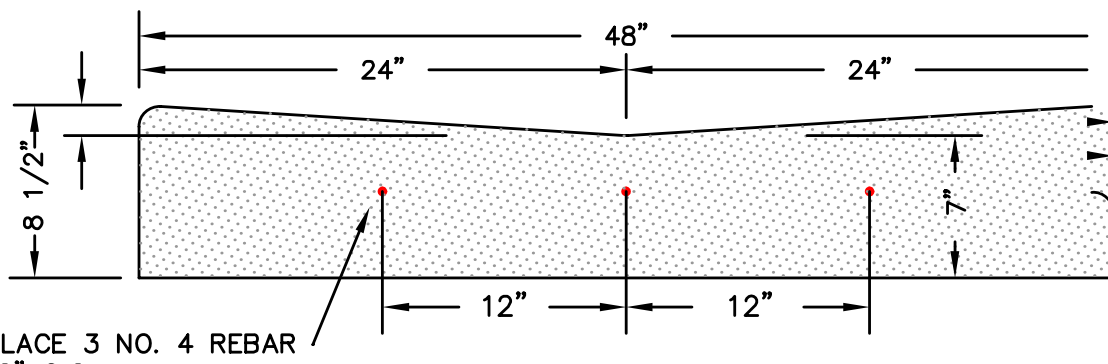
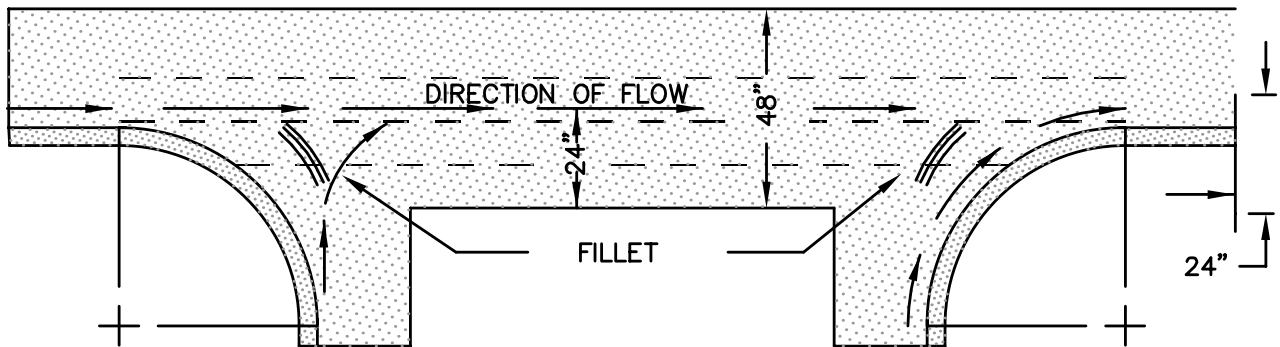


NOTE:  
 VERTICAL CURB & GUTTER TO BE USED AT  
 ALL CURB RETURNS WITH 1/4" EXPANSION  
 JOINT AT BOTH ENDS OF CURB RETURN AND  
 EDGES OF WHEEL CHAIR RAMP.



BARRIER C & G TO ROLL C & G TRANSITION



PLACE 3 NO. 4 REBAR  
 12" O.C.

CROSS GUTTER



526 C Street, Marysville, CA 95901

DEPARTMENT OF CITY SERVICES

\_\_\_\_\_  
 APPROVED                      DATE

STANDARD DETAIL 102

Cross Gutter &  
 Curb Transition