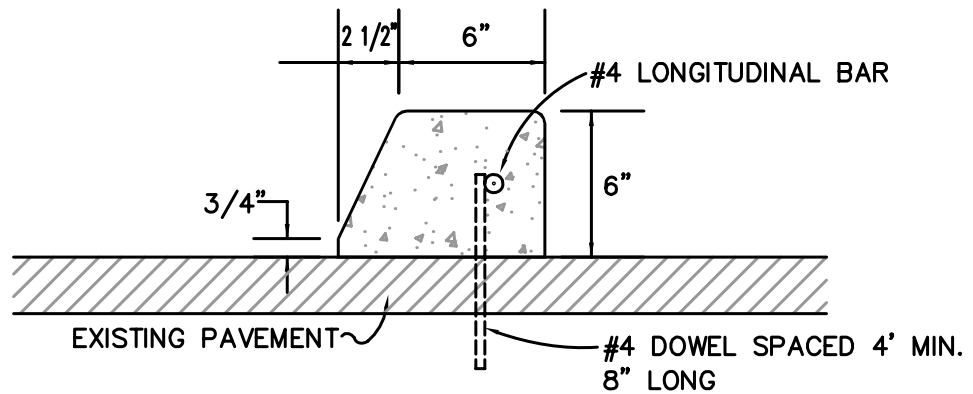
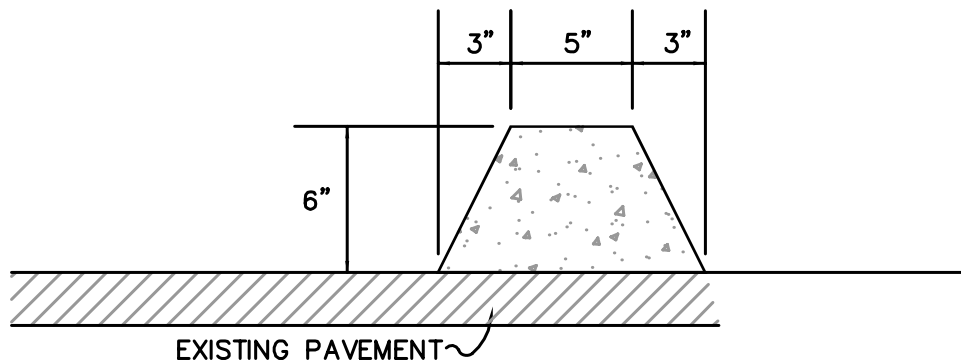


6" P.P.C. CURB (TYPE A)



6" P.C.C. CURB (TYPE B)



6" A.C. DIKE



526 C Street, Marysville, CA 95901

DEPARTMENT OF CITY SERVICES

APPROVED

DATE

STANDARD DETAIL 101A

6" Curb & Gutter