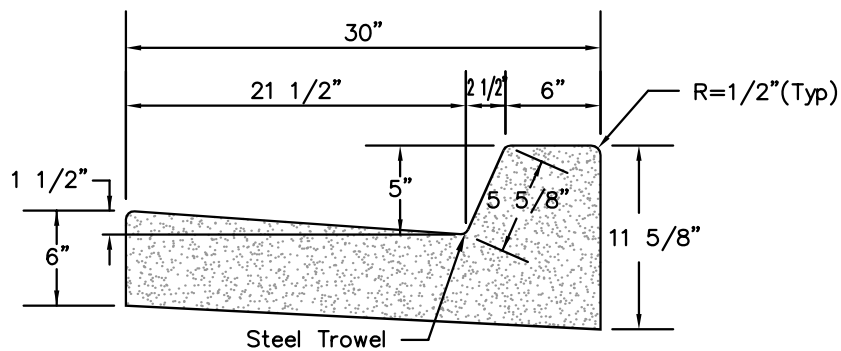
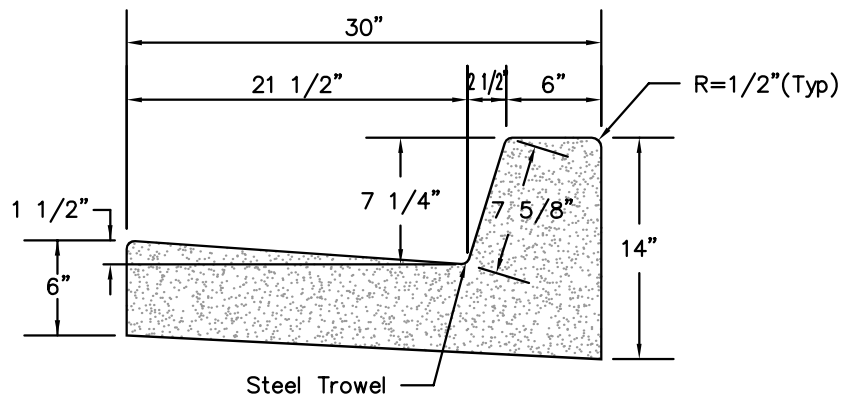


ROLL CURB



6" BARRIER CURB



8" BARRIER CURB



526 C Street, Marysville, CA 95901

DEPARTMENT OF CITY SERVICES

APPROVED DATE

STANDARD DETAIL 101

Curb & Gutter