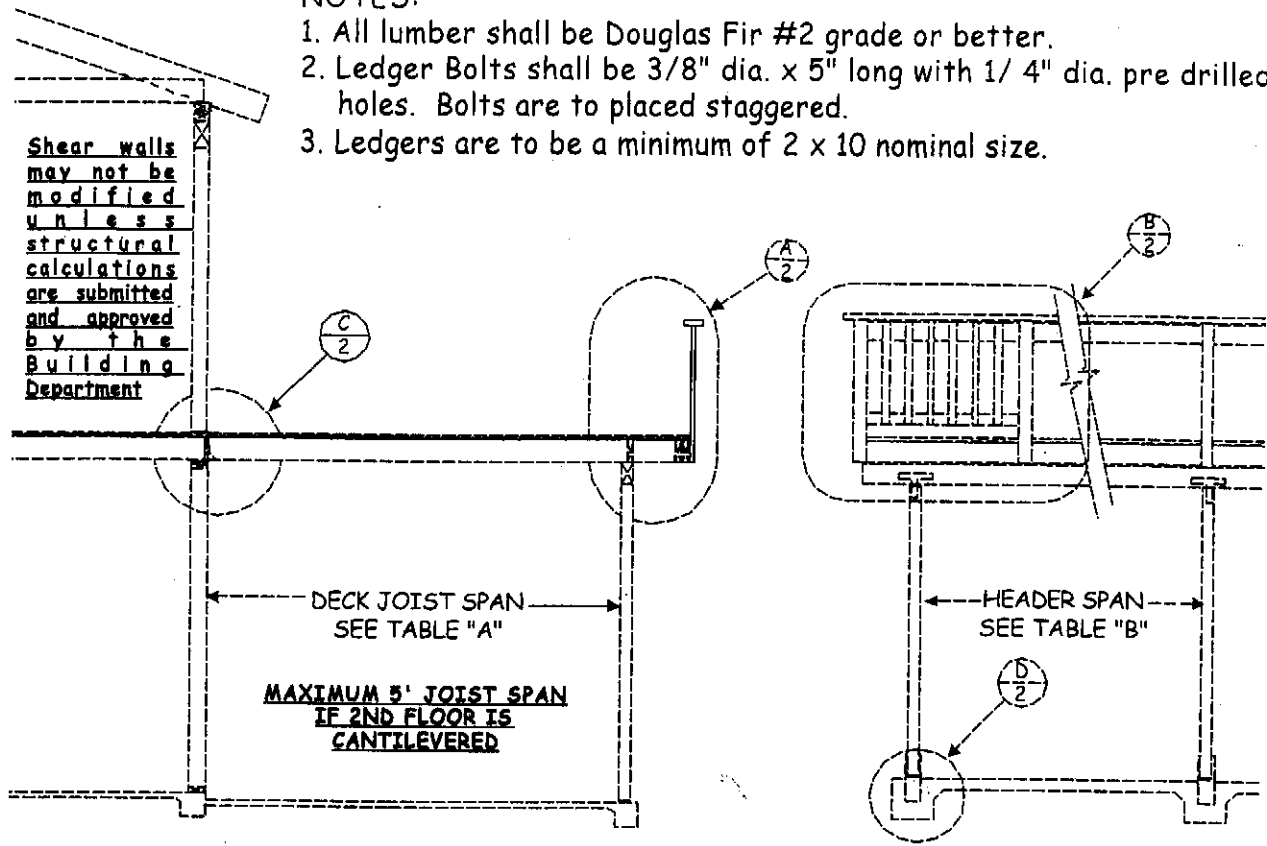


NOTES:

1. All lumber shall be Douglas Fir #2 grade or better.
2. Ledger Bolts shall be 3/8" dia. x 5" long with 1/4" dia. pre drilled holes. Bolts are to be placed staggered.
3. Ledgers are to be a minimum of 2 x 10 nominal size.



SIDE VIEW SECTION

FRONT VIEW ELEVATION

TABLE "A"		
DECK JOIST SPAN		
SIZE	SPACING	SPAN
2 x 6	12" o.c.	10' - 6"
	16" o.c.	9' - 2"
	24" o.c.	7' - 6"
2 x 8	12" o.c.	14' - 0"
	16" o.c.	12' - 0"
	24" o.c.	9' - 8"
2 x 10	16" o.c.	15' - 5"
	24" o.c.	12' - 6"
2 x 12	24" o.c.	15' - 4"
4 x 6	12" o.c.	16' - 0"
	16" o.c.	14' - 0"
	24" o.c.	11' - 5"
4 x 8	24" o.c.	15' - 0"
4 x 10	32" o.c.	15' - 0"

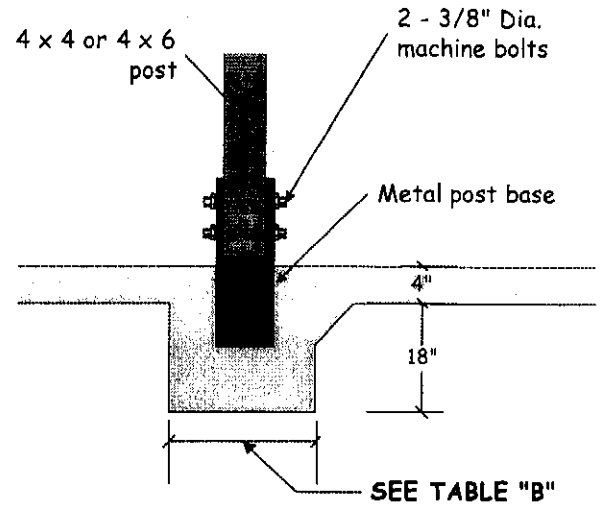
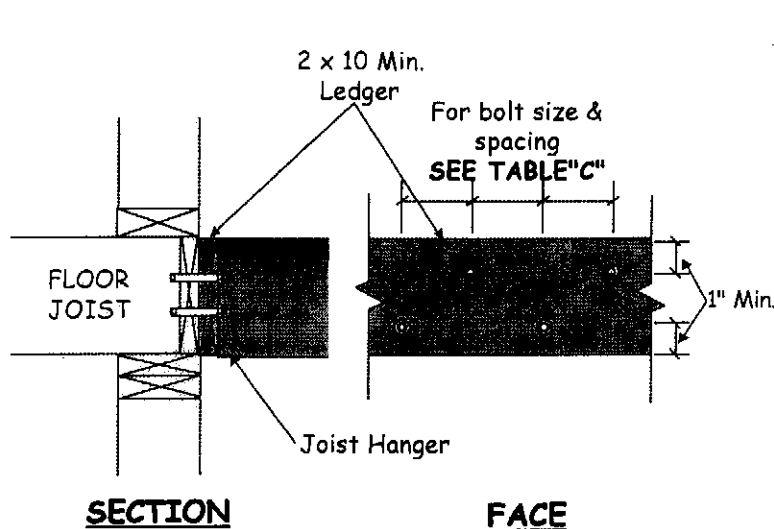
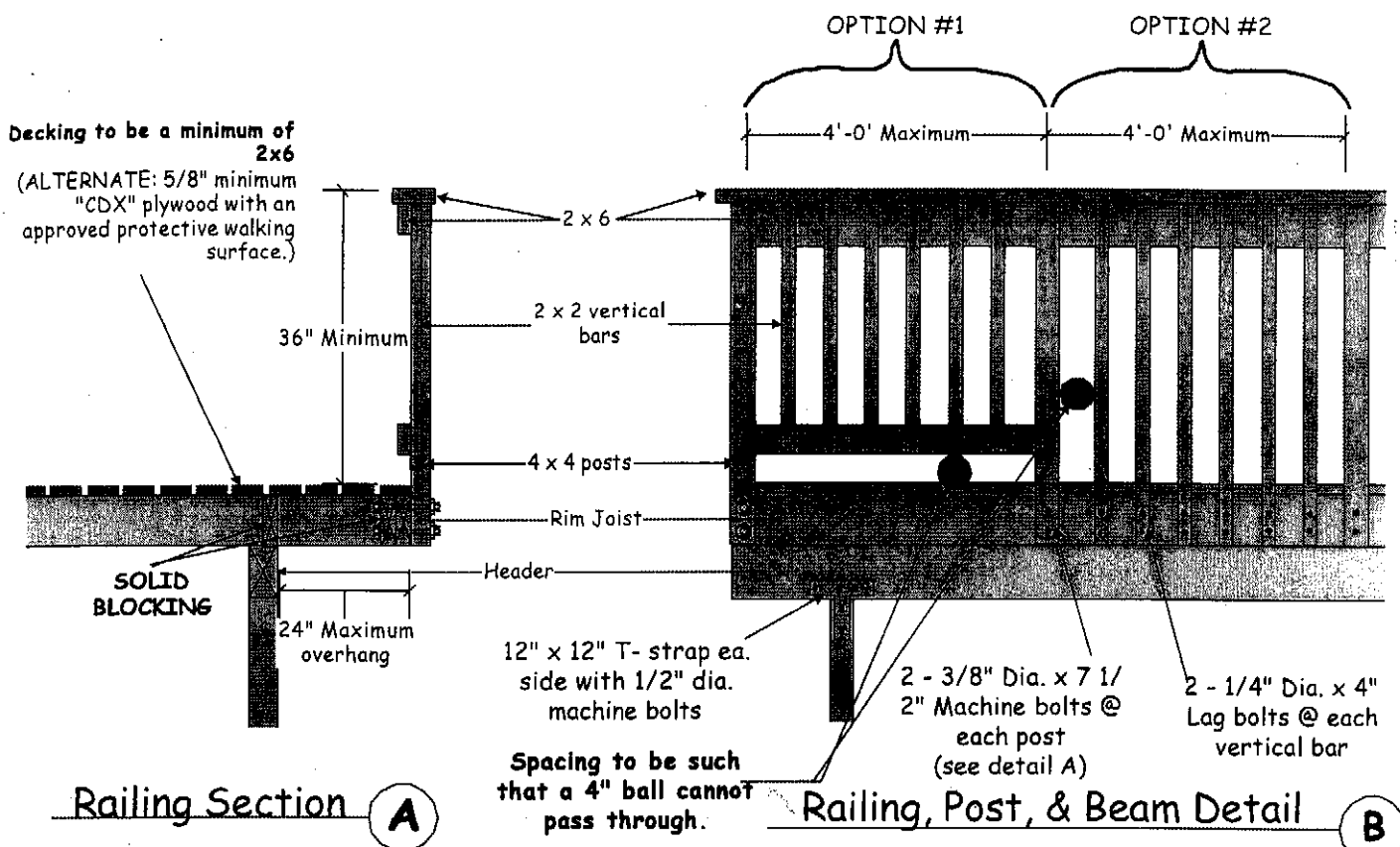
TABLE "B"			
IF JOIST SPAN IS....	AND HEADER SPAN IS...	THEN THE MINIMUM HEADER SIZE IS:	AND THE MINIMUM FOOTING SIZE IS:
Up to 16'	Up to 6'	4 x 8	18" sq. x 18" deep
Up to 8'	Up to 8'	4 x 8	18" sq. x 18" deep
Up to 16'	Up to 8'	4 x 10	18" sq. x 18" deep
Up to 8'	Up to 10'	4 x 10	18" sq. x 18" deep
Up to 14'	Up to 10'	4 x 12	18" sq. x 18" deep
Up to 10'	Up to 12'	6 x 10	24" sq. x 18" deep
Up to 12'	Up to 14'	6 x 12	24" sq. x 18" deep

TABLE "C"	
IF JOIST SPAN IS...	THEN BOLT SPACING IS ...
Up to 8'	8" o.c.
Up to 10'	7" o.c.
Up to 12'	6" o.c.
Up to 14'	5" o.c.
Up to 16'	4" o.c.



Building Department

Balcony/Deck Standard



This deck connection detail is based on the assumption that a minimum 1-1/2" wide rim joist is adequately installed at all edges of the 2nd floor diaphragm. If any other material is used, such as TJI joists, a special engineered design will be required. It is the owner's responsibility to verify the presence of the appropriate rim joist.

Ledger Detail (C)

	Building Department
	Balcony/Deck Standard
02/22/2001	\\Decktrds.vsd
	2 OF 3

IMPORTANT NOTE: The largest tread run & the largest riser height within any flight of stairs, **MAY NOT** exceed the smallest (respectively) by more than 3/8".

Handrails shall be returned or shall end in newel posts or safety terminals.

handrail

6' 8" minimum headroom

34" - 38"

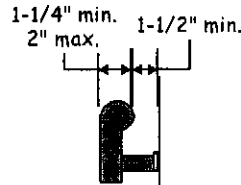
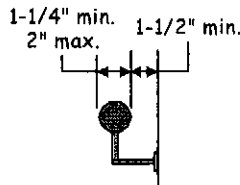
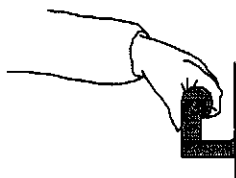
Stairways are to be a minimum of 36" in width

Every landing shall have a dimension measured in the direction of travel not less than the width of the stairway

9" min. tread run

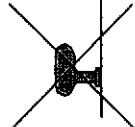
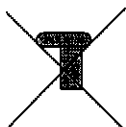
4" min. / 8" max. rise

Private (balcony) stairways



NOTE: Other shapes may be acceptable if they provide an equivalent gripping surface.

HANDRAIL DETAILS



These designs are not acceptable



Building Department

Balcony/Deck Standard